

UV-C Light Disinfection Technology

Advanced
Disinfection
for Transport

Non-contact air
and surface disinfection
Confidence in action
Speed and precision



In Partnership with:

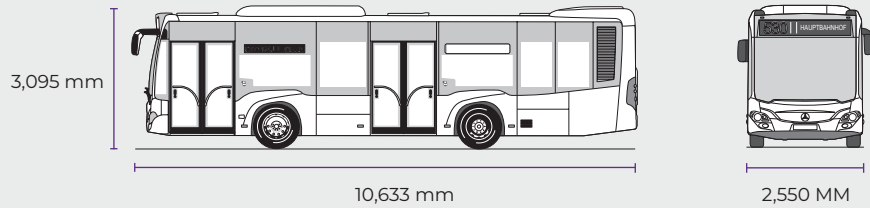


OCTA UV-SYSTEM
Robot **UV-C**

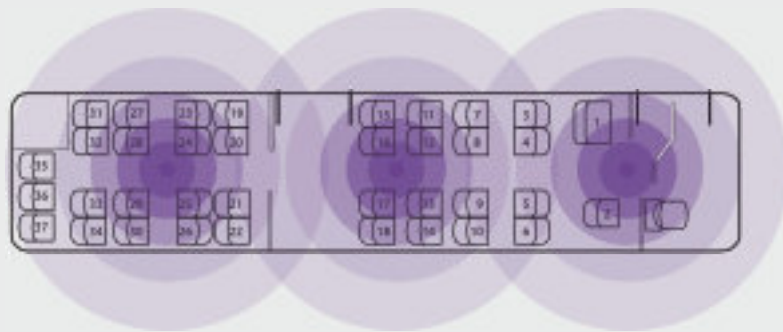
Go-Ahead

UV-C DISINFECTION PLAN

BUS CITARO K, 2 door



UV-C Desinfection
CITARO K buses



OCTA UV-SYSTEM FEATURES



2 min. 40 s.

OCTA UV-SYSTEM needs to disinfect
all surfaces and air of the bus

25 m²



TECHNICAL PARAMETERS

OCTA UV-SYSTEM

OCTA UV-SYSTEM consists of three devices equipped with UV-C radiators with a total power of 1200 W. It emits UV-C light with a wavelength of 253.7 nm.

It is intended for disinfection of offices, staff amenities, rest rooms and lounge areas.

Prevents and limits the spread of infectious microorganisms on all surfaces and in the air.

Includes laser rangefinder, automatic shutdown function, managed by the application using the control tablet.

Safe and reliable.

Electrical Data

Power	3 x 1200 W
Voltage	220 V
Lamp Type	Philips TUV T5
Power Supply	Osram
Expected Life Span	9.000 h

Mechanical Data

Length	1672 mm
Height	1785 mm
Width	462 mm
Housing Color	Satin Garnet
Security	Motion sensor, Auto switch off, App
Warranty	2 years
Extras	Dosimetric Cards

Application

Offices, staff amenities, rest rooms and lounge areas



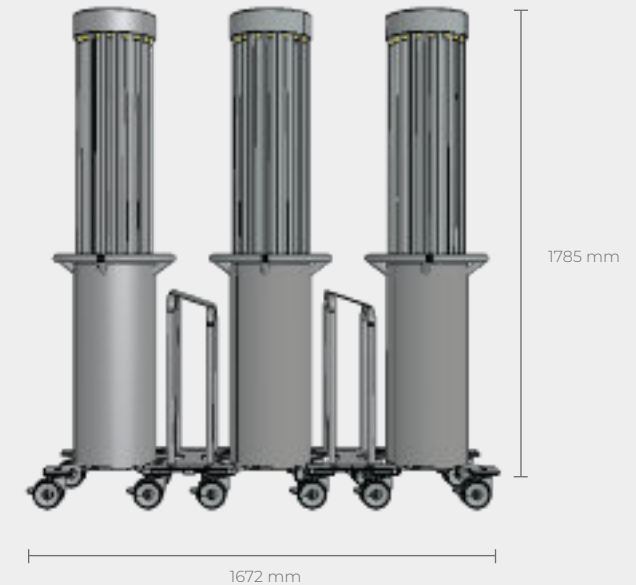
Optical Data

UV Wavelength	253,7 nm
Disinfection Efficiency	99 %*
Light Distribution	360°
Ozone Emission	0 - Ozone Free
Exposure Time	2 min. 40 sec. room 20 m ² *

* The number of luminaires to be used and effective radiation depends on room requirements. The calculations include spatial dimensions and data on microbiological factors and physical parameters.

** All luminaire data are typical values. Individual parameters of the system may change as technical progress is expected.

Dimensions



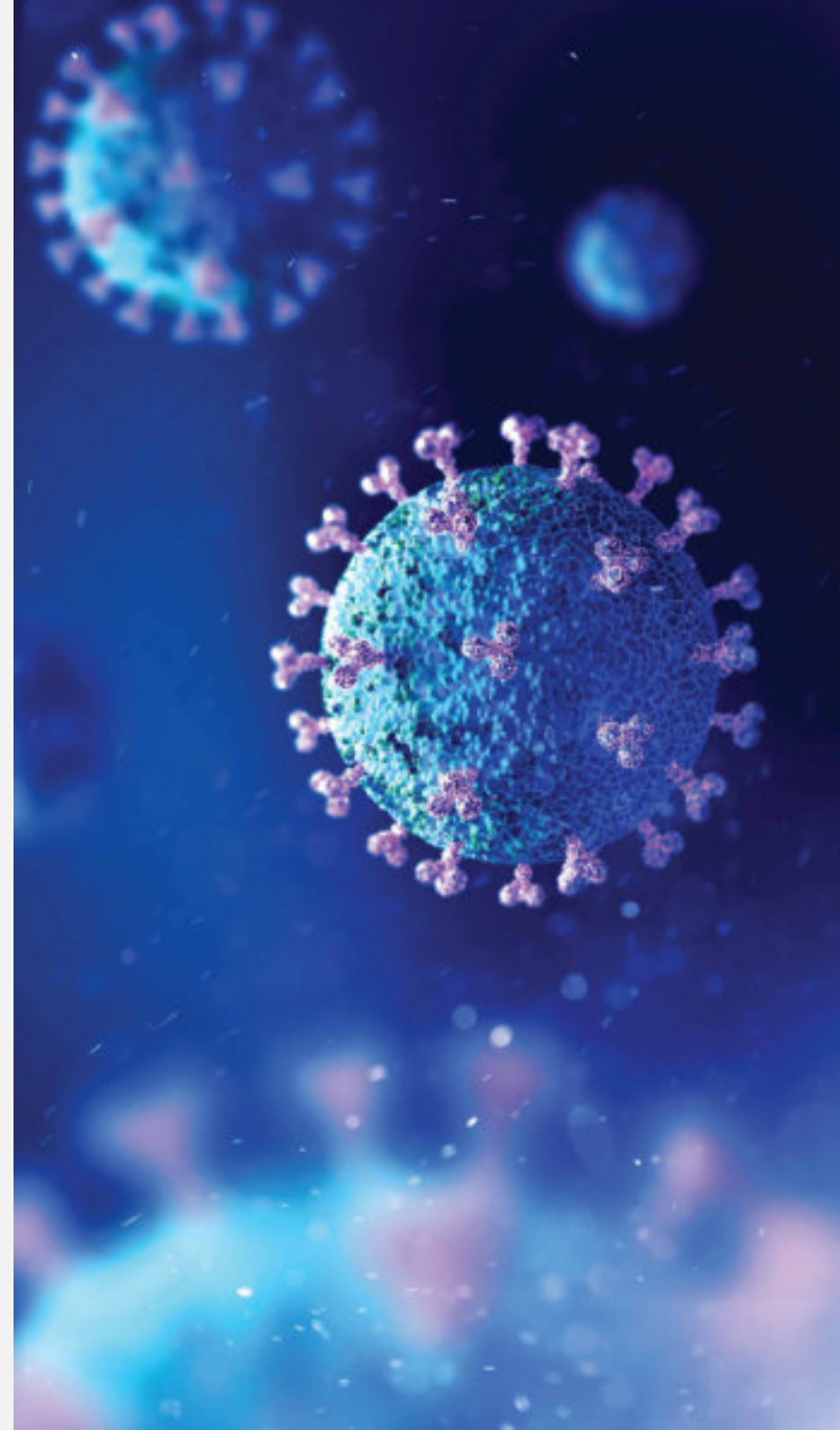
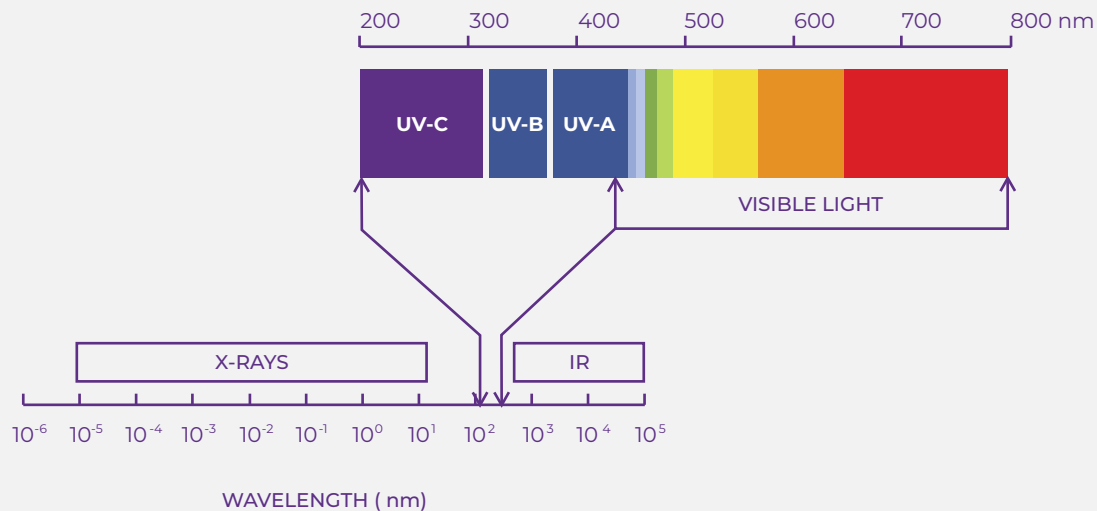
HOW UV-C DEACTIVATES VIRUSES?

UV-C light is part of ultraviolet light with a wavelength of 200 to 280 nm (specified in PN-90 / E-01005).

It is a common method of conducting specialised disinfection mainly in medical facilities and food processing plants. It is used to disinfect surfaces, air and water. The disinfecting effect consists in the penetration of high-energy particles of UV-C rays through the cell membrane of the pathogen.

Then, as a result of the absorption of particles by DNA / RNA cellular proteins, their structure is permanently damaged. This process is irreversible, which means that from that moment the pathogen cannot survive or reproduce.

The process described above is responsible (with proper exposure to UV-C radiation) for the elimination and neutralisation of 99.99% of microorganisms, including the SARS-CoV-2 corona virus.

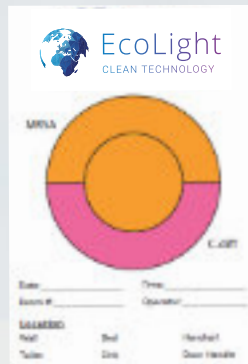


DOSIMETERS

UV-C

Using UVC dosimeters we can check the UV-C irradiance level to ensure that it is high enough to destroy pathogens.

The UV-C dosimeter is a UV radiation measurement tool dedicated for use wherever UV disinfection is used to check whether the surfaces subjected to disinfection have received the correct dose of radiation. According to the guidelines for effective radiation doses, it is 2700 J / m² for SARS-CoV-2 disinfection at the level of 99%.



EFFECTIVE SOLUTION

UV-C light is extremely effective in eliminating pathogens only when its dose, exposure time and distance from the device are calculated in detail.

Based on known research, we have determined the recommended exposure times for individual room sizes to achieve surface and air disinfection at 99%.

These calculations are based on recommendations by the Central Institute for Labor Protection - National Research Institute, which, modelling on international recommendations, indicates a dose of 50 mJ / cm² as effective in deactivating 99.9% of pathogens, including SARS-CoV-2.

2700 J/m²

The dose of UV-C LIGHT guarantees deactivation

99 %

pathogens including SARS-CoV-2



EcoLight

CLEAN TECHNOLOGY

Eco Clean Light's solutions are a response to the current global demand for services and products related to disinfection of all surfaces through UV light.

Our mission is to eliminate the threat to health and life by eliminating deadly microorganisms.

We provide an effective solution in the fight against pathogens, bacteria and viruses (including corona virus) to minimise the risk of infection.

www.eco-clean-light.com

TECHNOLOGICAL PARTNERS:



CLIENTS:



Stephen Marshall
Director

LED-UK Lighting Ltd

UK +44 787 647 0599

steve@led-uk.co.uk

www.led-uk.co.uk

Contact

David Wheadon
Key Account Manager

Professional LED & UV-C Lighting Solutions

UK +44 7469 726 083

PL +48 608 440 020

david.w@eco-light-led.com

Headquarters

ECO Light LED

Słupski Park Technologiczny

ul. Portowa 13 b
76-200 Słupsk, Poland

tel. +48 59 307 00 01

info@eco-light-led.com

www.eco-light-led.com

Branch

Eco Light LED GmbH

Flinschstraße 53,
60388 Frankfurt am Main, Germany

tel. +49 (0)69 2222 0671

fax. +49 (0)69 1382 9753

info@eco-light-led.de

www.eco-light-led.de